

COMMON MODE CHOKE (Flat Wire Winding)



- Core Size : SQ2418
- Rated Current : 2.5 ~ 6A
- Dielectric strength : 2000Vrms
- Rated Voltage 250V AC
- Operating Temperature : -20~120°C
- Application : large current & small size power supply

ELECTRICAL SPECIFICATIONS @25°C

Model No.	I RMS (Amps)	OCL(mH min)	MAX DCR(mΩ)	Inductance Difference(uH max)
SQ2418V153	1.7	15	210	200
SQ2418V123	2.3	12	140	200
SQ2418V502	5	5	80	200
SQ2418H153	1.7	15	210	200
SQ2418H123	2.3	12	140	200
SQ2418H502	5	5	80	200

* For RoHS compliant products, a.)The Ordering Code: TG-Model No. ex. TG-SQ2418V153

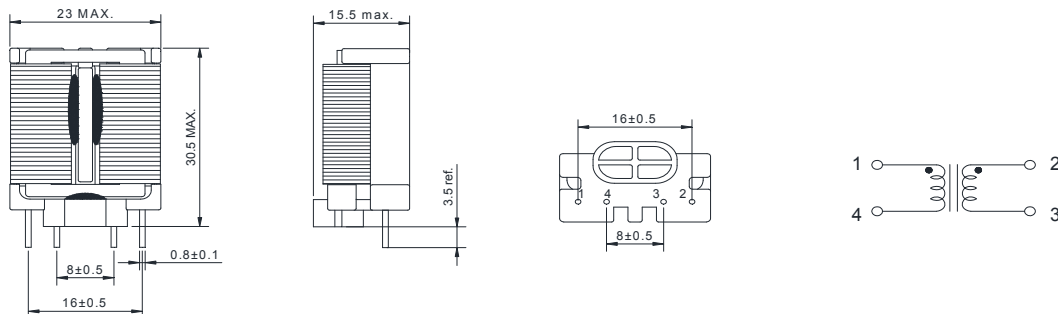
b.) Solder : Sn/Cu; c.)Date Code suffix to "G"

* Inductance test at 1KHz, 0.25V.

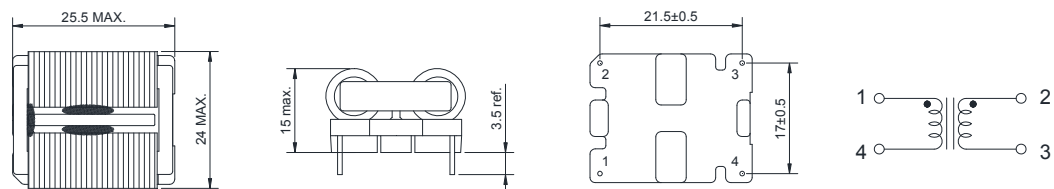


DIMENSIONS & SCHEMATICS

V : Vertical type



H : Horizontal type



UNIT : mm

*Specifications are subject to change without prior notice.

DATA SHEET 09-34 Jun./18

8 OF 9



UNIVERSAL MICROELECTRONICS CO.,LTD.
TEL:886-4-23590096 FAX:886-4-23590129

3,27TH RD.,TAICHUNG INDUSTRIAL PARK,
TAICHUNG,TAIWAN,R.O.C

COMMON MODE CHOKE (Flat Wire Winding)

Attenuation (typical values at $Z=50\Omega$)

———— asymmetrical, all branches in parallel (common mode)

- - - - - symmetrical (differential mode)

