

SE4000 series

Seal-Free PFA Pressure Sensor
for CMP Slurry System

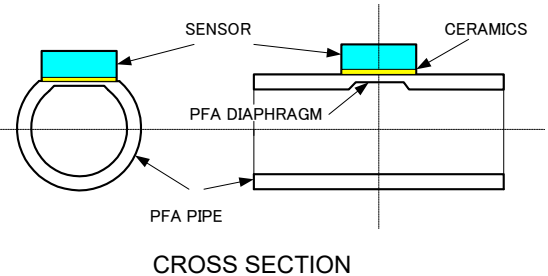


SE4000

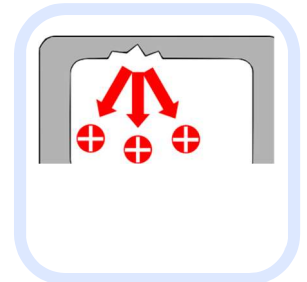


With NPS6200 Display

Completely Flow Through



No dead volume Diaphragm reduce the problem of CMP Slurry and other contamination.

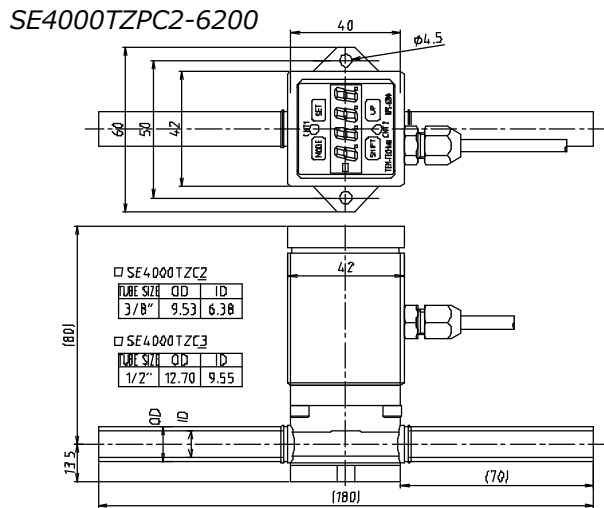
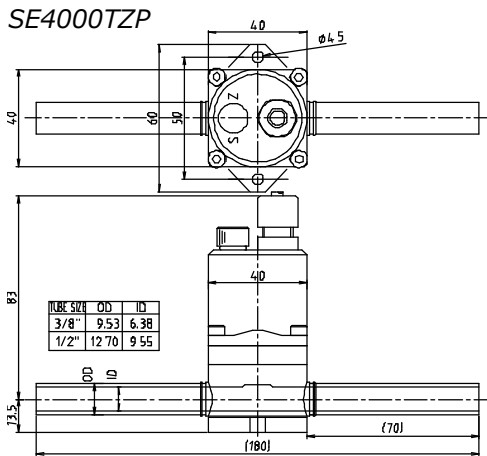


O-ring Free, Metal Free

PFA Pressure Sensor in a single piece design provides reliable pressure measurement in CMP Slurry

- The unit in balloon design instrumental in embracing PFA diaphragm into ceramic structure
- A new Nano-composite ceramic sensor with unique adhesion to PFA diaphragm
- No dead volume diaphragm avoids pressure loses
- Wetted parts with high purity PFA
- Integrated Display model available

Reference Drawing



Specifications

Model	SE4000 series		SE4000/6200 series
Application	Any fluids compatible with PFA		
Pressure Range	0.3MPa	0.5MPa	1MPa
Proof Pressure	0.75MPa	0.75MPa	1.25MPa
Accuracy (includes Linearity, Repeatability, Hysteresis.)	±1%FS (std25°C)		Display Accuracy: ±1%FS (std25°C) Analog Output Accuracy: 1.25%FS (std25°C)
Output Signal	4-20mA(2 wires)	0-5V / 0-10V(3 wires)	4-20mA / 1-5V / 0-5V / 0-10V (8 wires)
Power Supply	DC24V ±10%	DC15V-24V	DC24V ±10%
Compensated temperature	15-40°C		
Operating Temperature	0-80°C		
Thermal Effect	±0.5FS/°C(15-40°C)		
Materials	Wetted Materials (Diaphragm, Wetted parts): PFA, Electrical enclosure: PP		
Alarm output	-	HI-LO / HH-HI / LO-LL	
Load resistance	-	(4-20mA) Less than 400Ω: (Voltage) Over 10KΩ	
Enclosure Protection	IP55 compatible		
Leak Integrity	<3 × 10 ⁻⁸ Pam ³ /sec		
Fitting	Tube, Flared, Super Pillar300		
Fitting Size	3/8", 1/2", 3/4", 1"		
Connector	Pigtail (Non-detachable), WITCO Connector (Water Proof Connector)		
Cable	3m length standard cable		

Ordering Information

Model	Fitting Type
SE4000TZ	P Tube
	F Flared
	3 Super 300

Output	Connector	Fitting Size
420 4-20mA	P Pigtail (Non-detachable)	C2 3/8"
005 0-5V	W WITCO Connector	C3 1/2"
010 0-10V		C4 3/4"
105 1-5V		C6 1"

Model	Fitting Type	Fitting Size
SE4000TZ	P Tube	C2 3/8"
	F Flared	C3 1/2"
	3 Super 300	C4 3/4"
		C6 1"

Display	Display Direction	Output	Connector
6200	TS Horizontal to flow path	420 4-20mA	NTP Pigtail (Non-detachable)
		005 0-5V	NTW WITCO Connector
	TP Vertical to flow path	010 0-10V	
		105 1-5V	

* Specifications are subject to change without notice.

TEM-TECH LAB



Head Office
2-7-13 Tsukishima, Chuo-ku
Tokyo 104-0052 Japan
TEL:81-3-3534-5320 FAX:81-3-3534-5322
Osaka Office
TEL:81-6-6776-9270 FAX:81-6-6776-9271
URL: <https://www.tem-tech.co.jp>
Contact : sales@tem-tech.co.jp

AGENT